

MULTIPLE
CONSTELLATIONS
SUITABLE
FOR EVERY
STUDIO

CORE CIRCLE

PERFECT. SLIM. STRONG.

CORE CIRCLE THE PERFECT CORE – SLIM AND STRONG.

With the new CORE Circle, DHZ offers its members the ideal training option to quickly and efficiently achieve a strong and lean core.

Our health depends enormously on the condition of our core. This is where our most important organs are located. They are protected and kept in shape by healthy muscles. The core muscles stabilise the centre of our body and support our posture and balance. We need them when standing, walking, sitting and lying down.

Younger members focus on physical appearance and have a strong desire for a six-pack beach body. Athletes know that a strong core improves performance and reduces the risk of injury. Middle-aged customers also want a slim and healthy appearance. For older

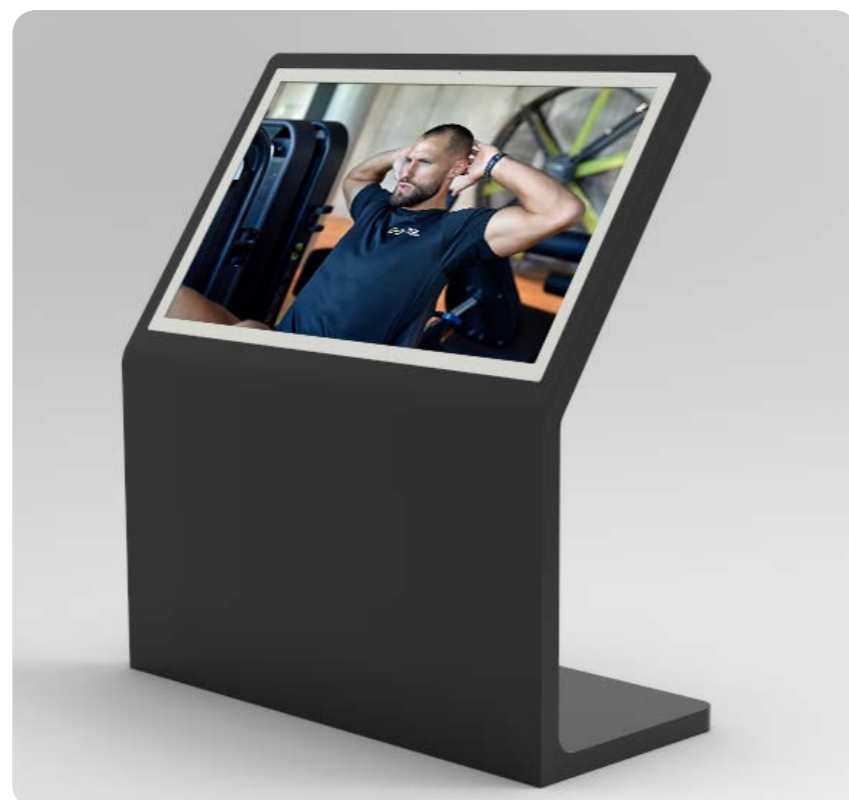
users, a strong core is the key to avoiding falls caused by lack of balance and stability. So when it comes to training, there is no more important area of the body.

MORE THAN JUST TRAINING

Nowadays, people have less and less time. Our CORE Circle training solution can therefore produce visible and sustainable results with little time investment to improve your members' primary problem area. It brings people together in one area, making it an ideal place to socialise with like-minded people.

THE BENEFITS

- ✓ The member can train in a time-saving manner thanks to the equipment being in one place.
- ✓ Innovation! The CORE Circle is stably connected to the floor by flat steel to prevent members from moving individual pieces of equipment, thereby disrupting organisation and use, and possibly scratching your floor.
- ✓ The flat steel is rubberised at the bottom to reduce noise and protect your flooring.
- ✓ Stickers on the flat bar provide information about the most important exercises for each device.
- ✓ With the digital solutions stand display, you can motivate your members for the initial period or in the long term with videos and give them immediate transparency as to which exercises can be performed.
- ✓ With our four and six-person constellations, we offer solutions for all studio sizes.
- ✓ The CORE Circle can be set up in various constellations: Hexagon, rectangle, line and corner so that you can easily find a place for it.
- ✓ With our towel holder, you can provide your members with additional training comfort.
- ✓ Advanced members can increase the intensity of their training with additional weights or elastic bands on some machines.

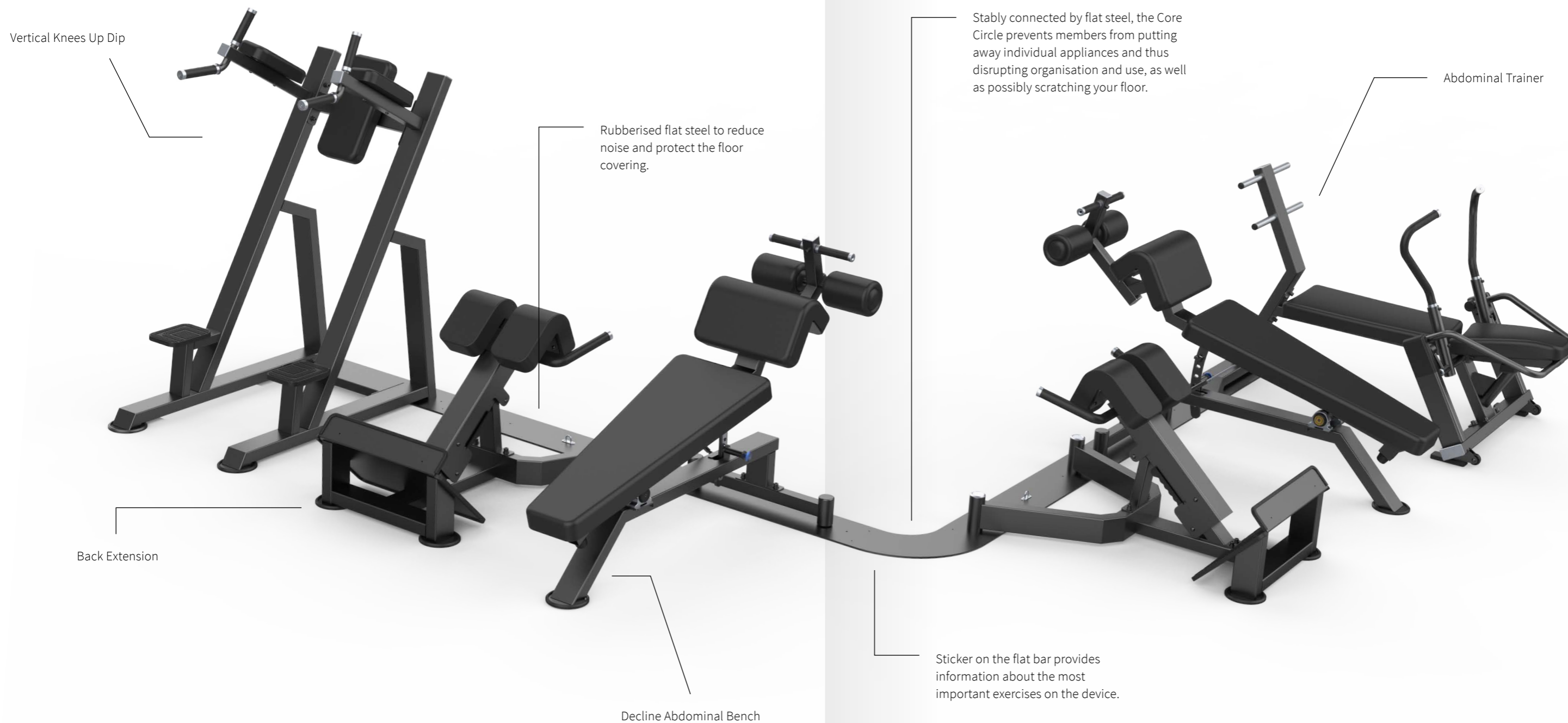


DHZ FITNESS SMART GYM SOLUTIONS

WITH OUR SMART GYM SOLUTIONS CONCEPT, WE TAKE THE PERSPECTIVE OF THE GYM OPERATOR AND DEVELOP SOLUTIONS THAT MAKE YOUR EVERYDAY LIFE EASIER. FOR YOUR MEMBERS, WE CREATE A PLEASANT TRAINING EXPERIENCE WITH AN EASY UNDERSTANDING OF PRODUCT USAGE AND GOOD TRAINING COMFORT.

CONCENTRATED CORE POWER

THE DHZ CORE CIRCLE OFFERS AN OPTIMAL TRAINING SOLUTION FOR MEMBERS TO EFFICIENTLY DEVELOP A STRONG AND LEAN CORE. MINIMISING THE TIME REQUIRED FOR LASTING RESULTS.



COLOR OPTIONS

FRAME



silver pearl



black pearl



white

UPHOLSTERY



black



yellow



saddle brown

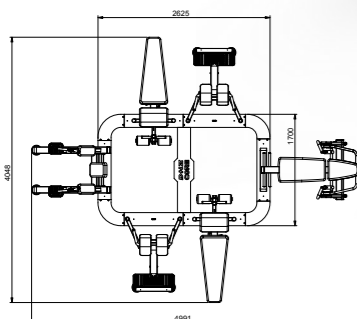
NOTE: The colors shown here can be different from the original colors.

THE PACKAGE PRICE IS THE SUM OF THE INDIVIDUAL PRICES OF THE BENCHES PLUS THE COST OF THE FLAT STEEL CONNECTION. THERE IS NO "CONCEPT SURCHARGE"!



XL SQUARE WITH 6 BENCHES

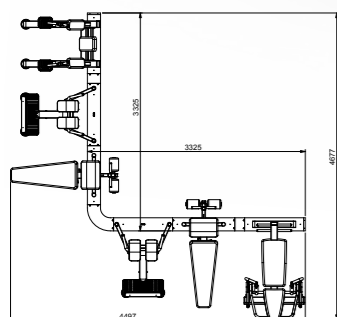
U3058P



MODEL	DIMENSIONS	TOTAL WEIGHT
U3058P	500 x 405 cm	396 kg

XL CORNER WITH 6 BENCHES

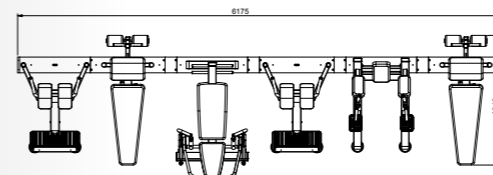
U3058L



MODEL	DIMENSIONS	TOTAL WEIGHT
U3058L	450 x 470 cm	369 kg

XL LINE WITH 6 BENCHES

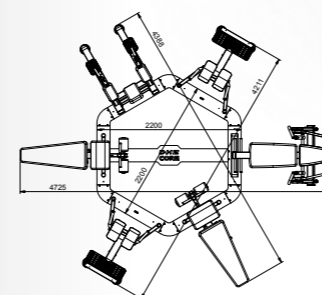
U3058S



MODEL	DIMENSIONS	TOTAL WEIGHT
U3058S	618 x 165 cm	363 kg

XL HEXAGON WITH 6 BENCHES

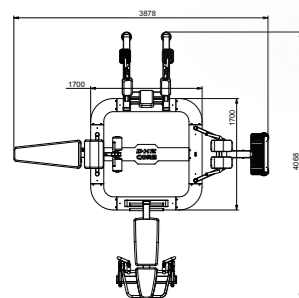
U3058



MODEL	DIMENSIONS	TOTAL WEIGHT
U3058	473 x 439 cm	395 kg

L SQUARE WITH 4 BENCHES

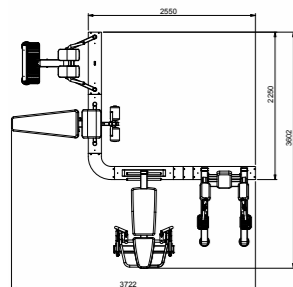
U3058PJ



MODEL	DIMENSIONS	TOTAL WEIGHT
U3058PJ	388 x 410 cm	287 kg

L CORNER WITH 4 BENCHES

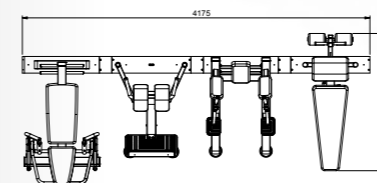
U3058LJ



MODEL	DIMENSIONS	TOTAL WEIGHT
U3058LJ	373 x 361 cm	256 kg

L LINE WITH 4 BENCHES

U3058SJ



MODEL	DIMENSIONS	TOTAL WEIGHT
U3058SJ	418 x 170 cm	252 kg

SMART
PRODUCED
SMART IN
PRICE

SEATED
LEG CURL
U2023



SCAN
FOR MORE
INFORMATION



EVOST III

DISCOVER OUR
STRENGTH EQUIPMENT

- at an almost unbeatable price performance ratio
- high-quality materials and well thought-out details
- elegant and timeless design
- gas spring seat adjustment





DHZ FITNESS SHOWROOM

Eisenhutweg 122
12487 Berlin

- more than 700 m²
- only 10 minutes from airport

YOU WANT TO GET TO KNOW AND TEST OUR EQUIPMENT?

Come visit us!

In our showroom in Berlin, we present a selection of our equipment. Please contact us for a personal appointment so that we can take the time to advise you competently.

YOU ARE INTERESTED IN ADDITIONAL INFORMATION OR WANT TO MEET IN PERSON?

Ask us!

Our friendly sales team is available for you to address your needs. We would be happy to make a non-binding offer to you.

DHZ FITNESS EUROPE GMBH

Berliner Straße 8D | 16727 Velten

☎ 03304-247 28 76 | ✉ sales@dhz-fitness.de

WWW.DHZ-FITNESS.DE
WWW.DHZ-FITNESS.EU



SCAN FOR MORE INFORMATION

